

76.PS Pressure Switch

A compact and economical pressure switch for extended duty applications. The 76.PS is primarily designed for direct engine mounting, to provide electrical signalling of a low oil pressure fault.

The isolated switch contacts are factory set to close below 15 psi (1 bar), but may be adjusted between 14 and 24 psi (1.0 and 1.6 bar). The polyimide diaphragm is compatible with air, engine oil and other hydrocarbon media. (Contact with water-based fluids is not recommended.)



Specifications

Pressure ratings

Factory setting: 15 psi / 1 bar

Set point adjustment range: 14–24 (±3) psi / 1.0–1.6 (±0.2) bar

Max. operating pressure: 150 psi / 10 bar

Proof pressure: 500 psi / 34 bar

Burst pressure: 750 psi / 51 bar

Contacts

Type: optional SPNC or SPDT direct action contacts (NC contact closes on low pressure), silver alloy, gold plated

Ratings (resistive DC): 15A @ 6V DC, 8A @ 12V DC, 4A @ 24V DC

Ratings (inductive AC): 1A @ 120V AC, 0.5A @ 240V AC

Physical

Base: plated steel

Cover: glass reinforced polyester

Diaphragm: Kapton® polyimide film

Pressure connection: 1/8" - 27 NPT male thread

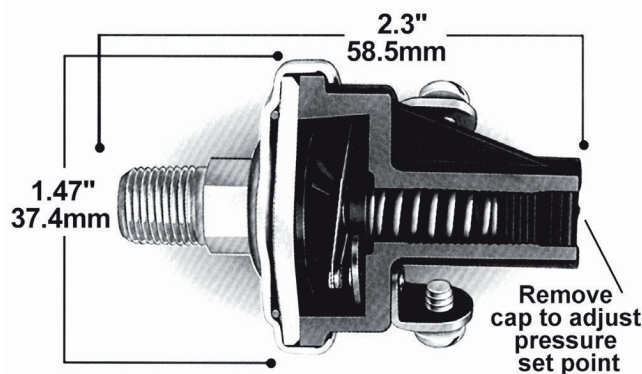
Electrical terminals: #8-32 screws

Operating temperature: -40 to +121°C / -40 to 250°F

Dimensions: see diagram below

Weight: approx 65g

Dimensions



How to Order

Stock code	Description
76.PS.0015	1/8" NPT, 15 psi setting, SPNC contacts
76.PS.0001	1/8" NPT, 15 psi setting, SPDT contacts
76.PS.0001-xxx	Special setting versions of above, where xxx = required set point pressure

Special variations on pressure range and contacts are available for volume orders. Please contact our sales office for details.

SALES CONTACT

ENOVATION
CONTROLS®

CONTACT

✉ sales@rajkotmarinelc.ae

☎ +971 6 7487580

🌐 www.rajkotmarine.com

RAJKOT MARINE LLC

Jerf Industrial Area 1,

P.O Box 5861

Ajman, UAE

